



Skyfol[®]
Film Solutions

PPF_{nano}
paint protection film

A Skyfol PPF Nano, have a special coating with a gloss surface that provides a perfect glossy look for your car. The special clear coat results in the film being highly resistant to contaminants such as water marks, insects, bird droppings, salts, oils, magnesium chloride, and exhaust gas, which would cause the yellowing of the film and damage the surface. The film protects the body of the car from minor stone chips, surface scratches, damage caused by car wash brushes and other similar impacts, and eliminates tiny surface scratches in the film with the help of „self-healing“ technology.

FEATURES OF THE SPECIAL TOPCOAT.



SuperGloss

Thanks to its special manufacturing technology, surface gloss is perfect, so it perfectly fits the paint.



GravelGuard

The paintwork will be protected from stone chips and other physical impacts.



DuraShield

Its high quality makes the film totally resistant to external exposure.



ScratchCure

Microscratches will disappear from its patented surface coating.



H2ORepel

Due to its water-repellent feature, the surface is very easy to clean.



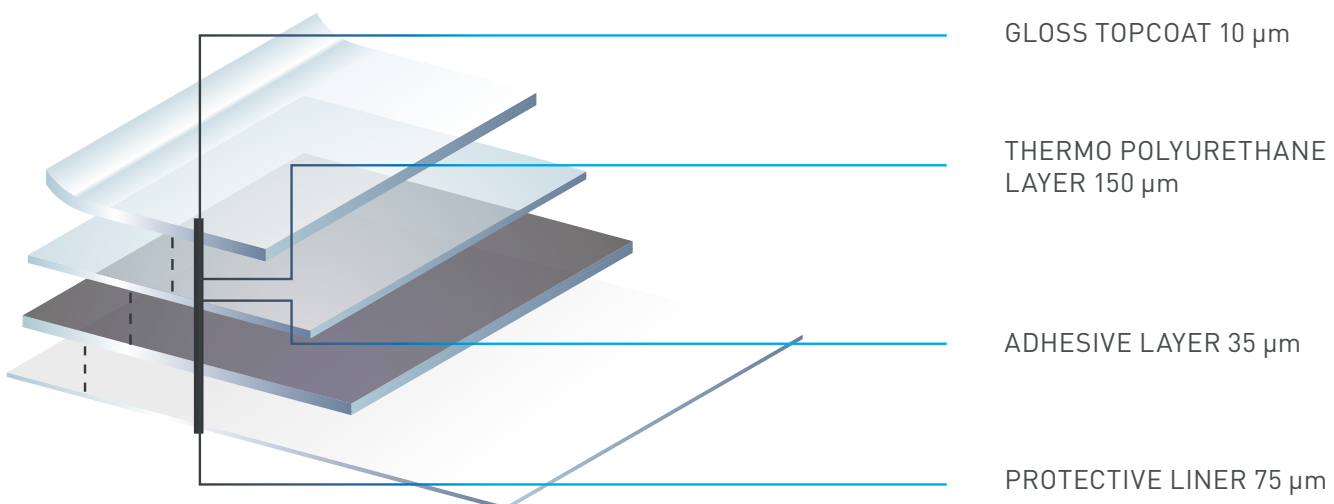
StainResist

The surface coating does not let contamination into deeper layers, therefore stains will be easy to remove.

RAW MATERIAL:

Skyfol PPF Nano is a biodegradable, polyester-based aliphatic thermo polyurethane film. As it is resistant to orange peel, yellowing and UV, it is widely used for the exterior surface protection of vehicles.

STRUCTURE OF THE FILM:





Skyfol[®]
Film Solutions

PPF_{nano}
paint protection film

TECHNICAL FEATURES:

Thickness of the polyurethane film:	150 mikron
Taber abrasion resistance:	<3,5 g / 1000 g (ASTM D - 1044)
Gloss value:	> 80
Tensile strength:	5000 psi (D - 412)
Elongation at break:	550 % (D - 412)
Adhesive:	Repositionable, non-yellowing, crystal-clear acrylic adhesive.
Resistance:	The film is resistant to general-use automotive fuels.
Shelf life:	1 year, stored optimally at 22°C and with relative humidity 50%.

TECHNICAL SPECIFICATIONS:

technical data, recommendations, and other statements contained in this document are based on tests and experimental data that we believe to be reliable but whose accuracy and completeness are not guaranteed.

PRODUCT USE:

in actual use, many of the factors beyond the control of Skyfol can affect the performance of the product. Due to the diversity of factors affecting product performance, it is entirely the responsibility of the user to make sure that the film is suitable for the actual use.

PRODUCT SAFETY:

the product is a urethane film with residual solvent odour, but it does not release hazardous chemicals under normal use.

LIMITATION OF LIABILITY:

with the exception of statutory prohibitions, Skyfol shall not be held liable for any direct, indirect, special or incidental loss or damage related to the Skyfol product, regardless of any legal, statutory (warranty, contract), negligence or objective liability.

WARRANTY:

The installer assumes a 5-year warranty on the installation. The warranty period begins on the date of the invoice issued for the installation. The warranty applies only if installation is carried out on the original factory paintwork. The warranty is non-transferable and applies only to the original customer.

EXPECTED DURABILITY:

Expected durability periods is 10-year. The expected durability of the film concerns the non-appearance of yellowing and surface cracks. In case of problems due to material defects, Skyfol undertakes to replace the material. The value of the claim shall not exceed the gross purchase price indicated on the invoice for the sale of the product. The warranty does not cover damage caused by improper use, accidents, improper installation and normal wear and tear of the product, neither dents caused by stones and road debris. Before installing the film on headlights, check local legal regulations that may vary by region. Skyfol does not warrant the PPF Nano material installed on headlights, nor takes any liability for related fines.

The paint protection film can be ordered from official Skyfol distributors published at www.skyfol.com. Always consult the relevant Skyfol representatives who will inform you about roll sizes, minimum order quantities, prices and other business terms.

CONTACT:

For the selection of the material and to receive technical assistance for application, visit our website at www.skyfol.com